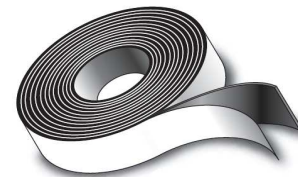
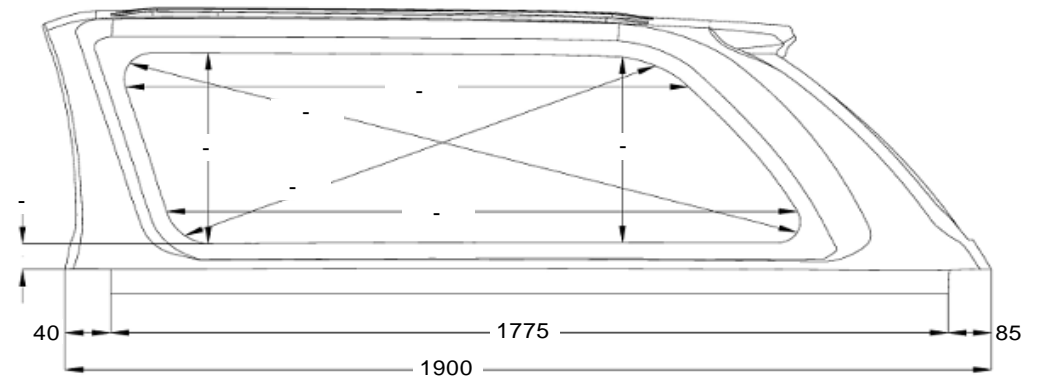
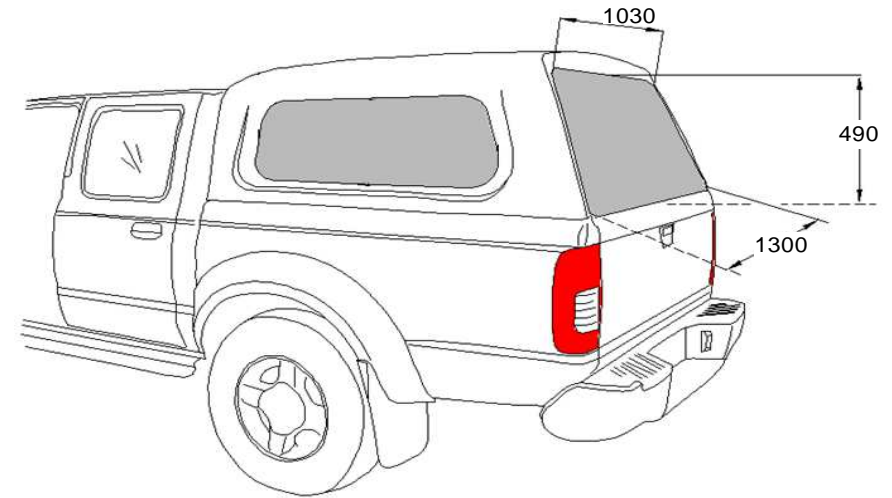


Net weight: 64,00 kg
 Gross weight: 95,00 kg
 Volume: 2,36 m3



20 x 10 x 5000 GKS ECONOMY - 1,5 m
 100 - 3 m